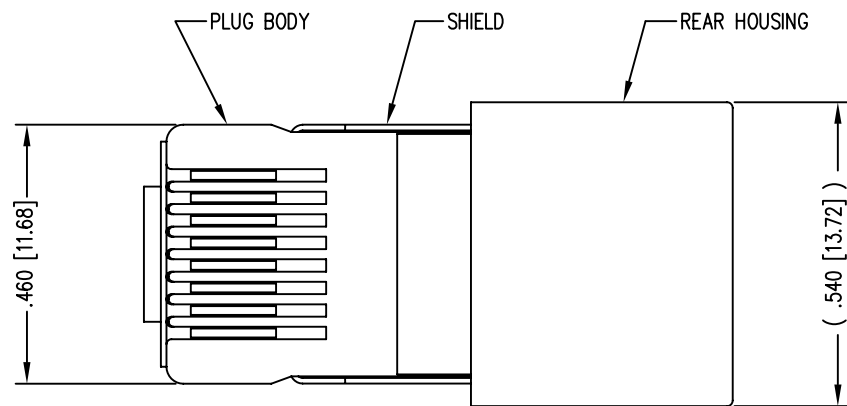


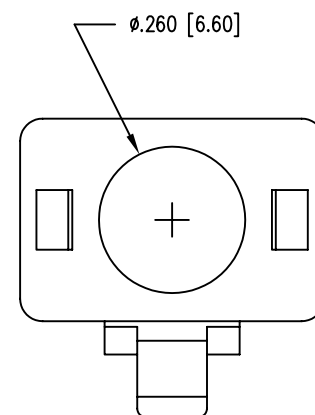
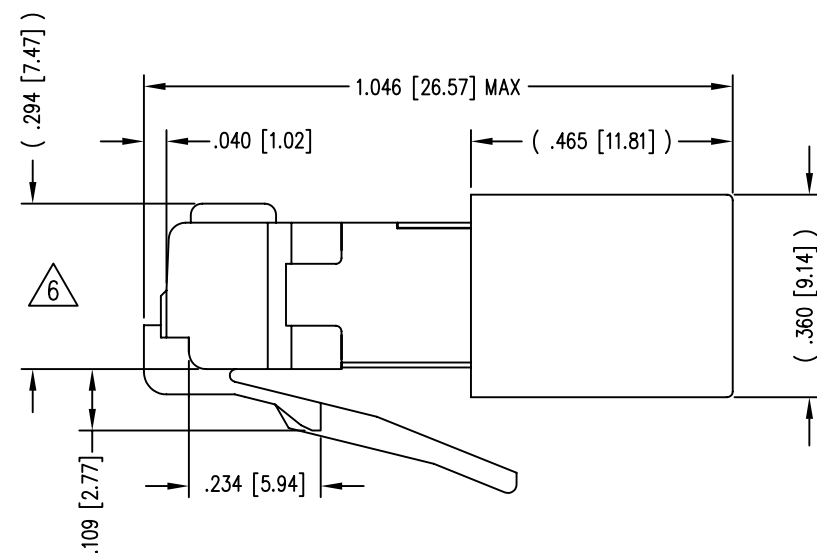
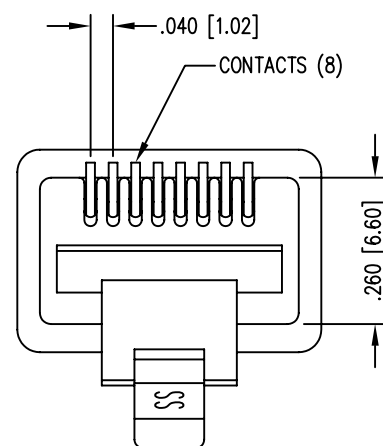
2

1

DATE	REV	ECN	APP'D. BY
1-23-03	C2	5793	RGC
5-6-03	D0	5995	JM
03-09-04	D1	6351	JMB
1-16-06	D2	7440	JM



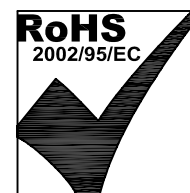
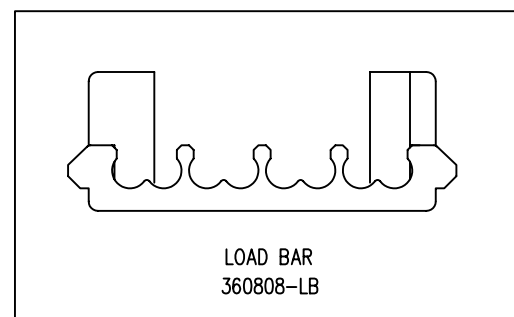
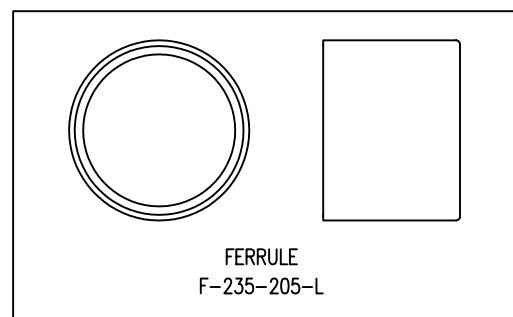
(SHOWN ASSEMBLED)



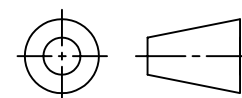
NOTES:

- 1- PLUG KIT CONSISTS OF :
 PRE-INSERTED PLUG HOUSING & SHIELD
 MANAGEMENT BAR
 REAR HOUSING
 FERRULE
- 2- MATERIALS :
 FRONT HOUSING PLASTIC : CLEAR POLYCARBONATE, UL 94-V0
 LOAD BAR : CLEAR POLYCARBONATE, UL 94-V0
 REAR HOUSING PLASTIC : BLACK POLYCARBONATE, UL 94-V0
 SHIELD : TIN PLATED BRASS
 CONTACTS : PHOSPHOR BRONZE, SELECTIVE GOLD PLATING
 FERRULE : TIN PLATED BRASS
- 3- CONTACTS TERMINATE STRANDED CONDUCTORS UP TO .037 [0.94] OUTSIDE DIAMETER OF INSULATION.
- 4- FOR PLUG SPECIFICATION SEE PRO26-01.
- 5- TOLERANCES COMPLY WITH F.C.C. DIMENSION REQUIREMENTS.
- △ TERMINATED PLUG HEIGHT: .237 [6.02] ±.005 [0.13]

BAG OF 10	50 MICRO-INCHES [1.27um]	940-SP-360808-A258
BULK	50 MICRO-INCHES [1.27um]	940-SP-360808-A108
PACKAGE	CONTACT PLATING IN MATING AREA	PART NUMBER



THIRD ANGLE PROJECTION



DO NOT SCALE DRAWING
DRAWING IS SUBJECT TO
CHANGE WITHOUT NOTICE

DIMENSIONS: INCHES [METRIC]

UNLESS OTHERWISE SPECIFIED
TOLERANCES ARE ±.005 [0.13]
ANGLES ARE ± 1°

SHEET NO.
1 OF 1

Bel Stewart Connector

11118 Susquehanna Trail South
Glen Rock, PA 17327-9199
(717) 235-7512 Fax: (717) 235-7954 <http://www.stewartconnector.com>

TITLE: 8 POSITION/8 CONDUCTOR STANDARD SHIELDED PLUG ASSEMBLY

THIS DRAWING AND THE SUBJECT MATTER SHOWN THEREON ARE CONFIDENTIAL AND THE PROPRIETARY PROPERTY OF BEL STEWART CONNECTOR AND SHALL NOT BE REPRODUCED, COPIED, OR USED IN ANY MANNER WITHOUT PRIOR WRITTEN CONSENT OF BEL STEWART CONNECTOR. THE SUBJECT MATTER MAY BE PATENTED OR A PATENT MAY BE PENDING.

DRN BY: TRM DATE 1-23-03

APPD BY: RGC DATE 1-24-03

DWG NO. CT360035 REV. D2

2

1

AutoCAD

REV. 10/29/02